



DeFelt®



EasySnap™

Installation Guides





EasySnap™

Modular acoustic ceiling baffles combining good sound absorption with modern design. Easy to install, perfect for residential and commercial interiors.

Why EasySnap?

Thoughtfully designed with a focus on aesthetics,

Made from recycled PET felt,

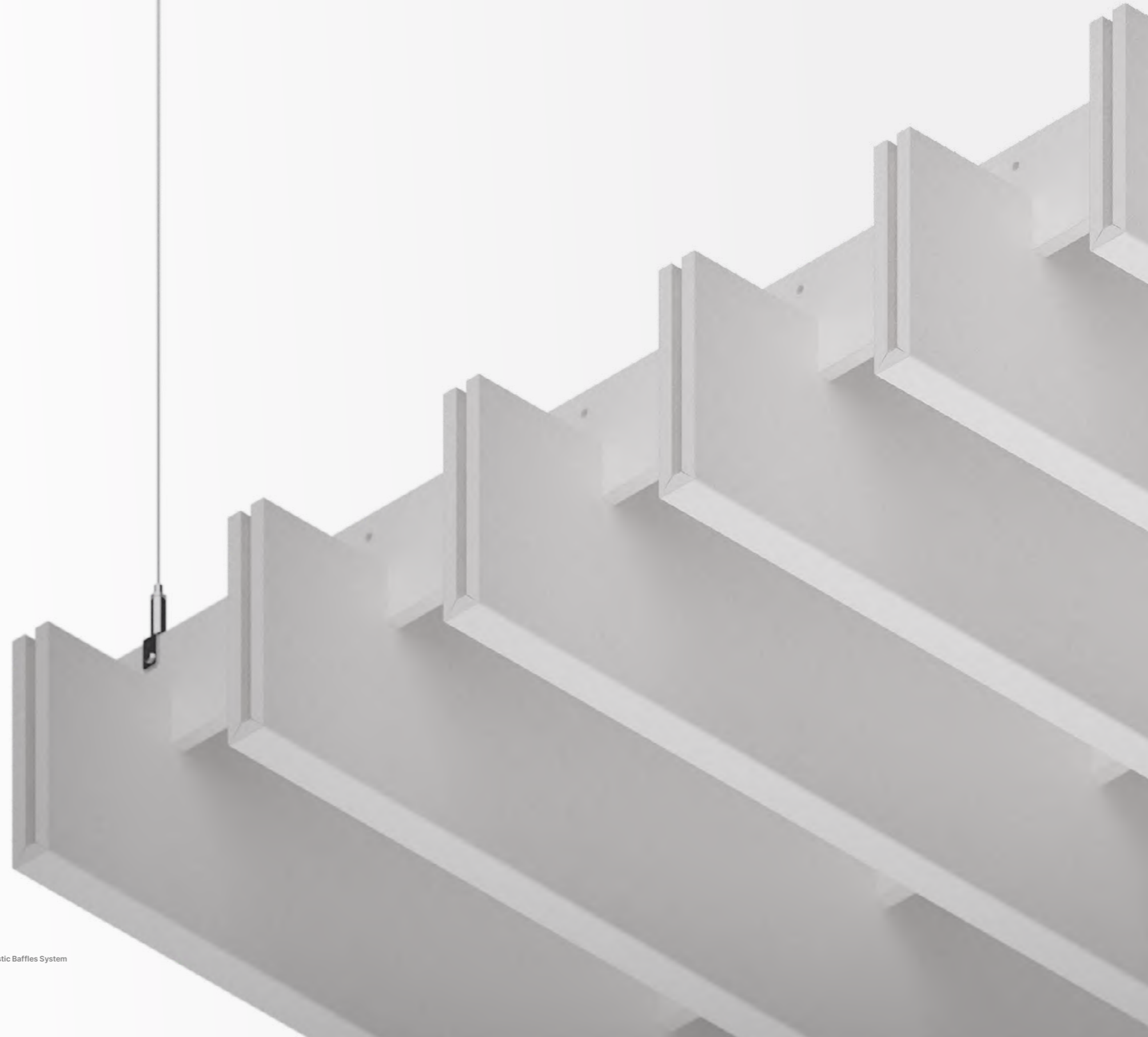
Meets sustainability and quality standards,

Improve the room's acoustics without altering the furniture or flooring.

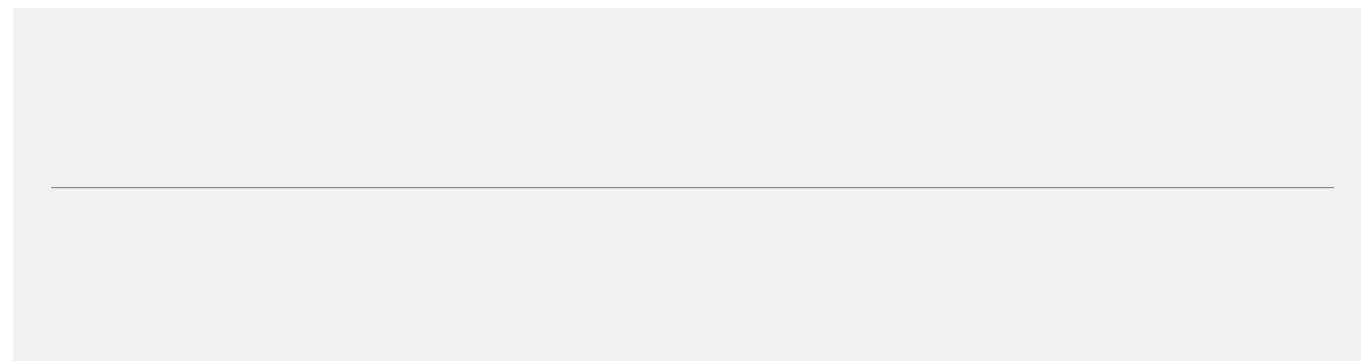
Origin

Created from our office needs - designed to enhance acoustics and well-being with aesthetic impact.

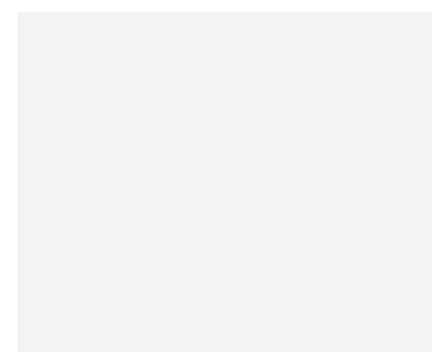
EasySnap™ Acoustic Baffles System Collection was designed with creativity and freedom to explore the boundary between aesthetics and acoustic quality.



Page	Guide
	Assembling Suspended Baffles
	Mounting Suspended Baffles
14 — 15	Joining Suspended Baffles X Axis
16 — 17	Joining Suspended Baffles Z Axis



Guides Shotcuts:





Method available with:

Light

Medium

Bold

Great

Wide

Low

High

Mixed

Accent

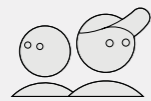
Before Work:

Installing baffles involves working at heights and using potentially dangerous tools. Make sure your work is carried out in a safe environment and that all safety precautions are followed.

Necessary Information:

The following instructions show a general baffle installation. Baffles may vary slightly. Depending on the pattern used, the number of components may differ, or some parts may not be present. Information about these variations can be found in the EasySnap catalog or in the quick reference at the end. Steps marked with an asterisk (*) are optional. You must complete them if subsequent steps require it.

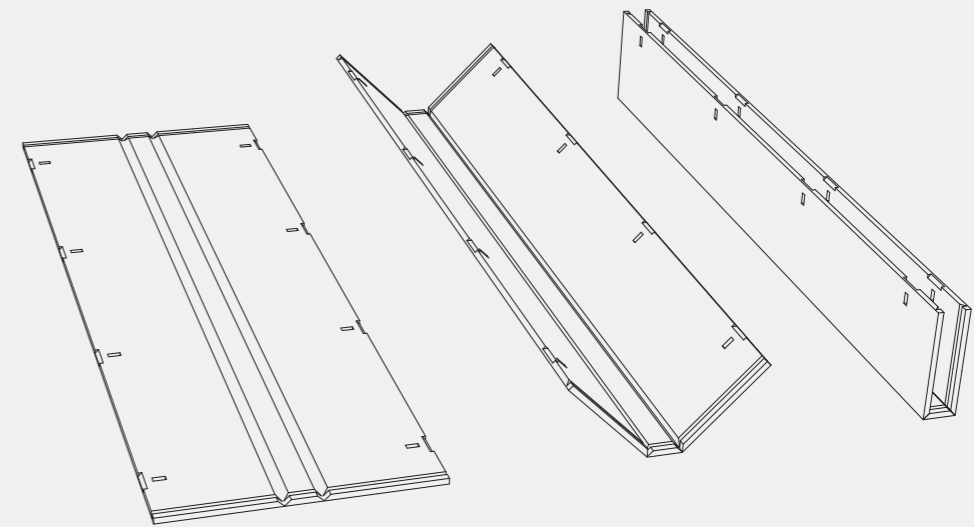
During the work, you will need:



Somebody to help



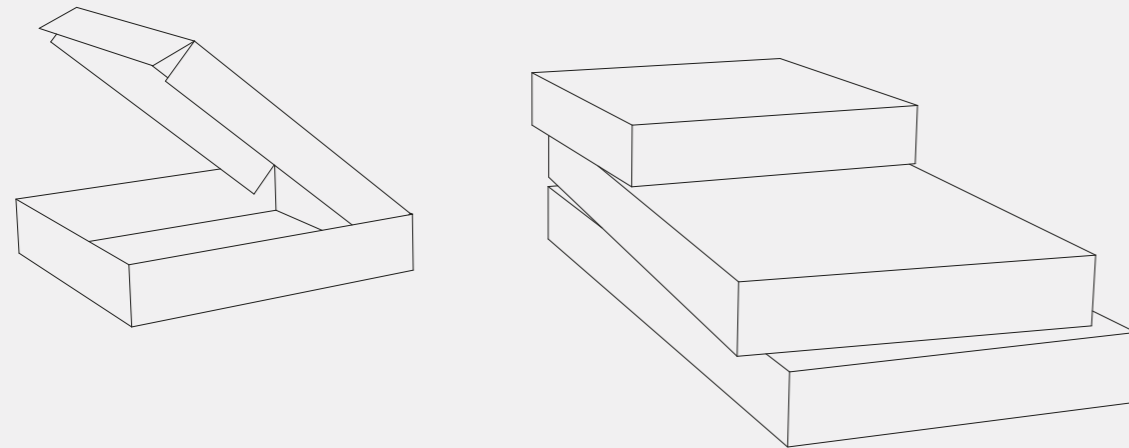
Screwdriver



①

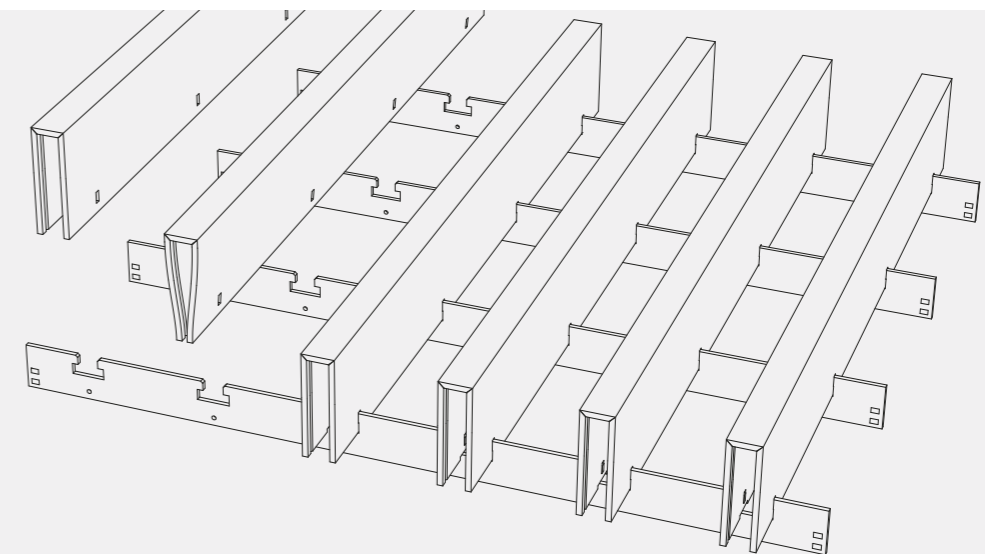
Lamellas preparing

Take the lamellas out of the box and bend them at the hinge point. Remove the securing inserts from the holes. You can dispose of them, making sure to follow proper recycling guidelines.



Check & prepare

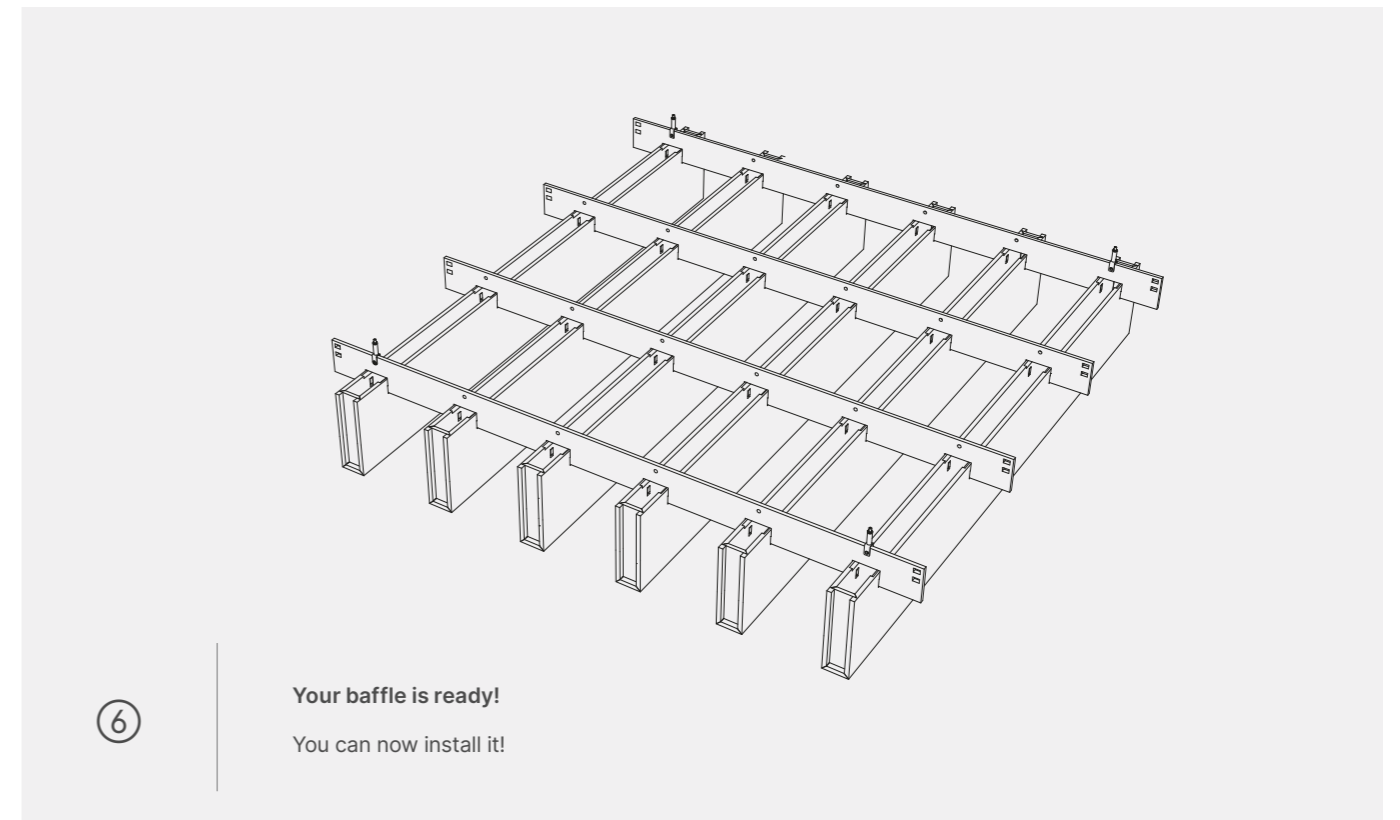
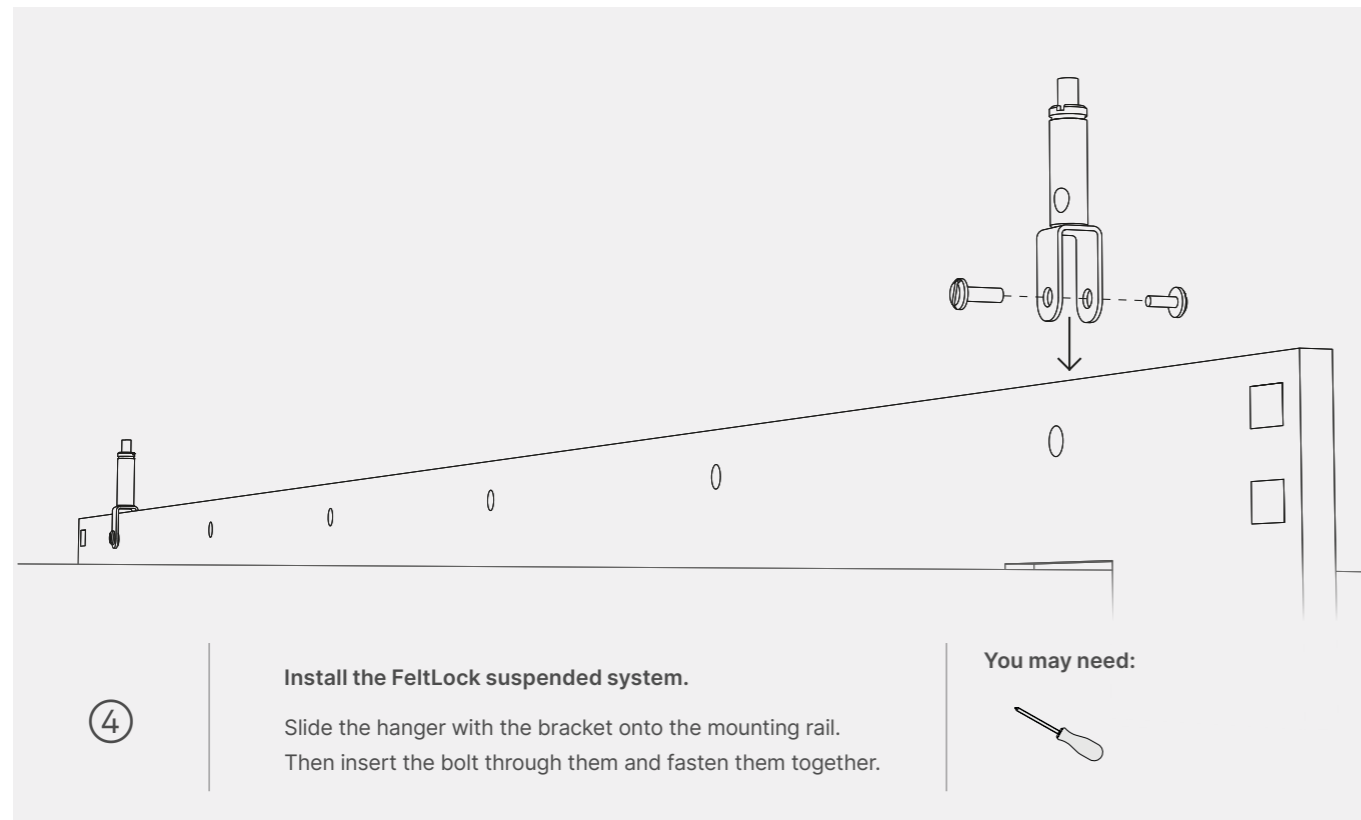
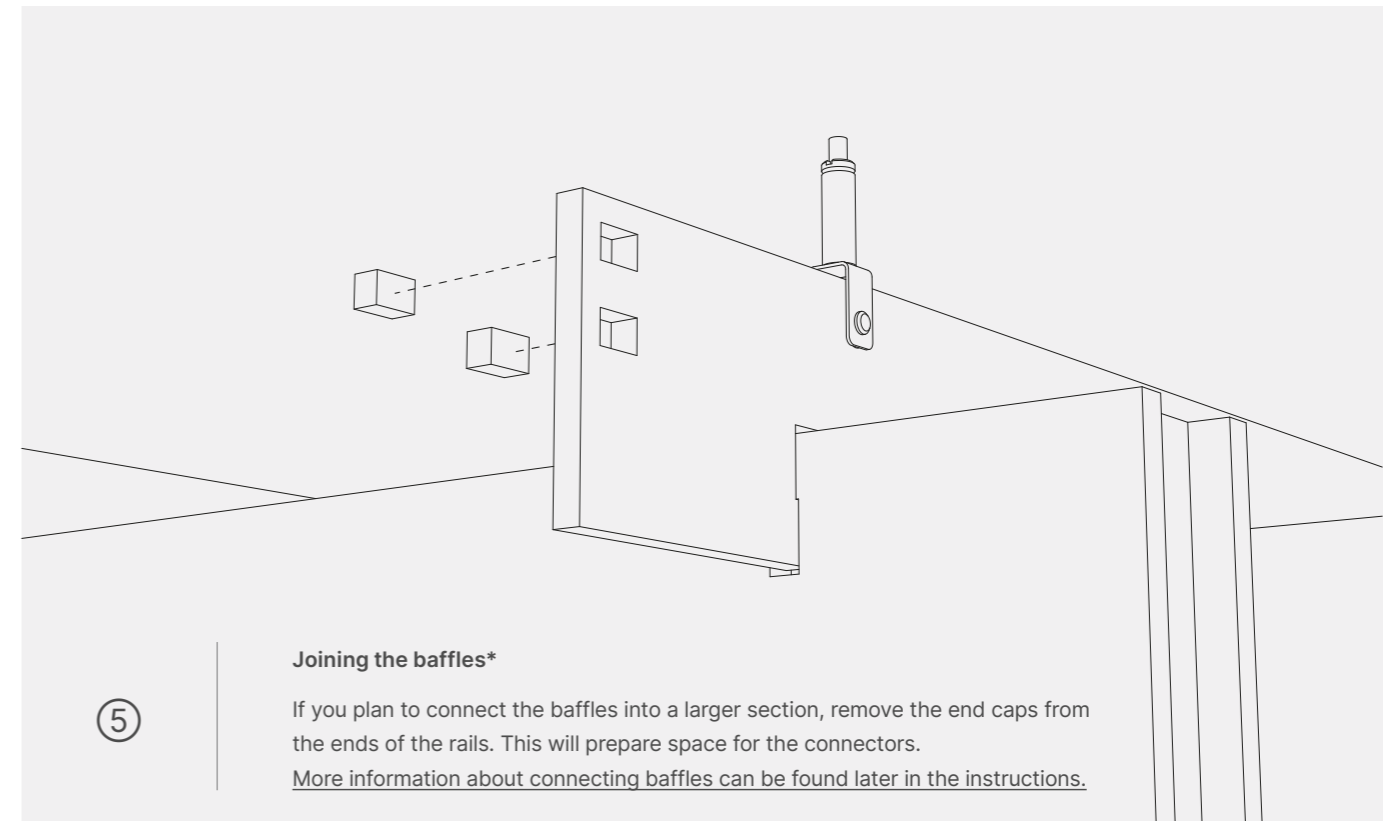
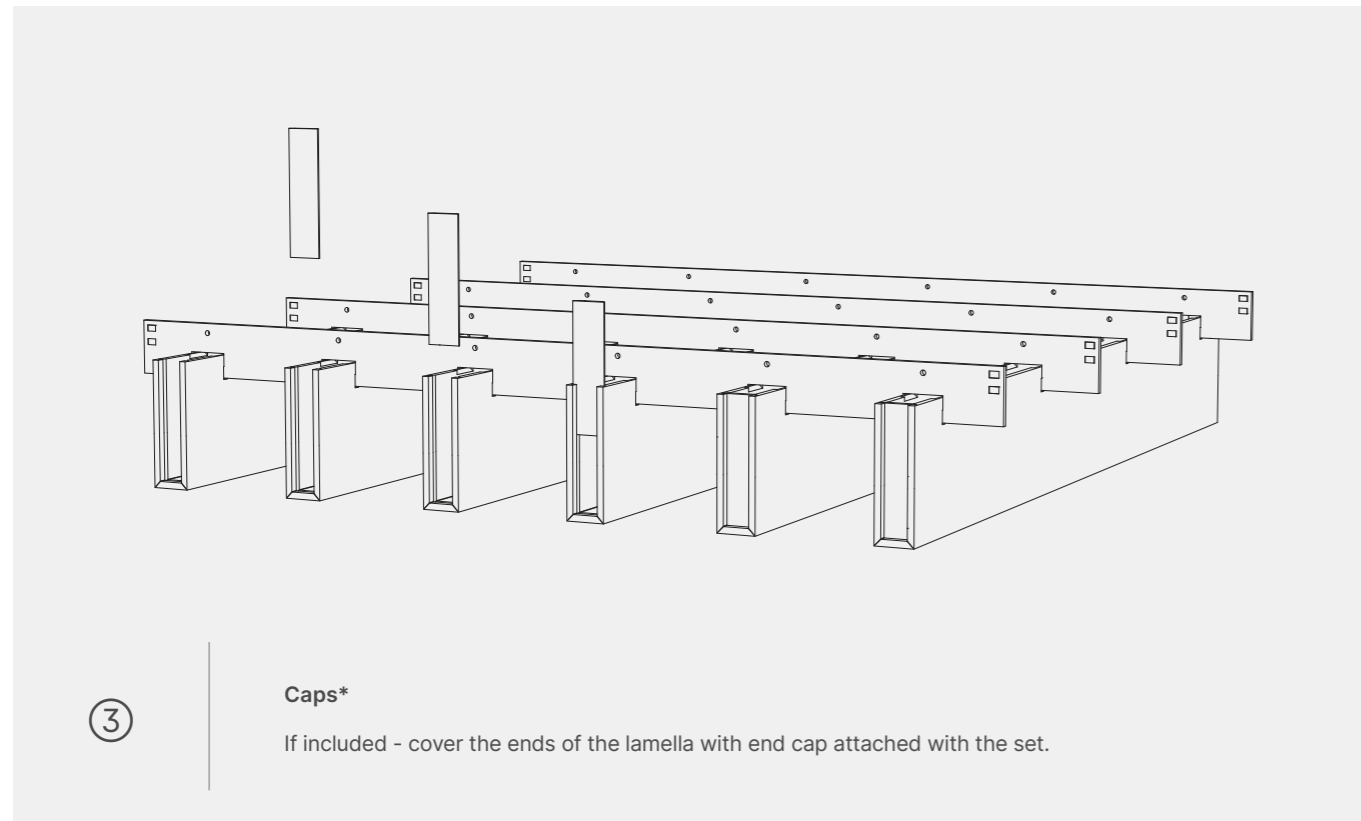
Take out the contents of the package and check the completeness of the set. Clean area and prepare the workstation & tools.



②

Installing lamellas onto the mounting rails

Assemble the lamella and compress it at the point where it should slide into the slot in the mounting rail. Repeat this for each lamella.





Method available with:

Light

Medium

Bold

Great

Wide

Low

High

Mixed

Accent

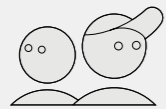
Before Work:

Installing baffles involves working at heights and using potentially dangerous tools. Make sure your work is carried out in a safe environment and that all safety precautions are followed.

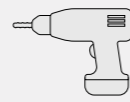
Necessary Information:

The following instructions show a general baffle mounting into ceiling. Baffles may vary slightly. Depending on the pattern used, the number of components may differ, or some parts may not be present. Information about these variations can be found in the in the quick reference at the end.

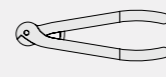
During the work, you will need:



Somebody to help



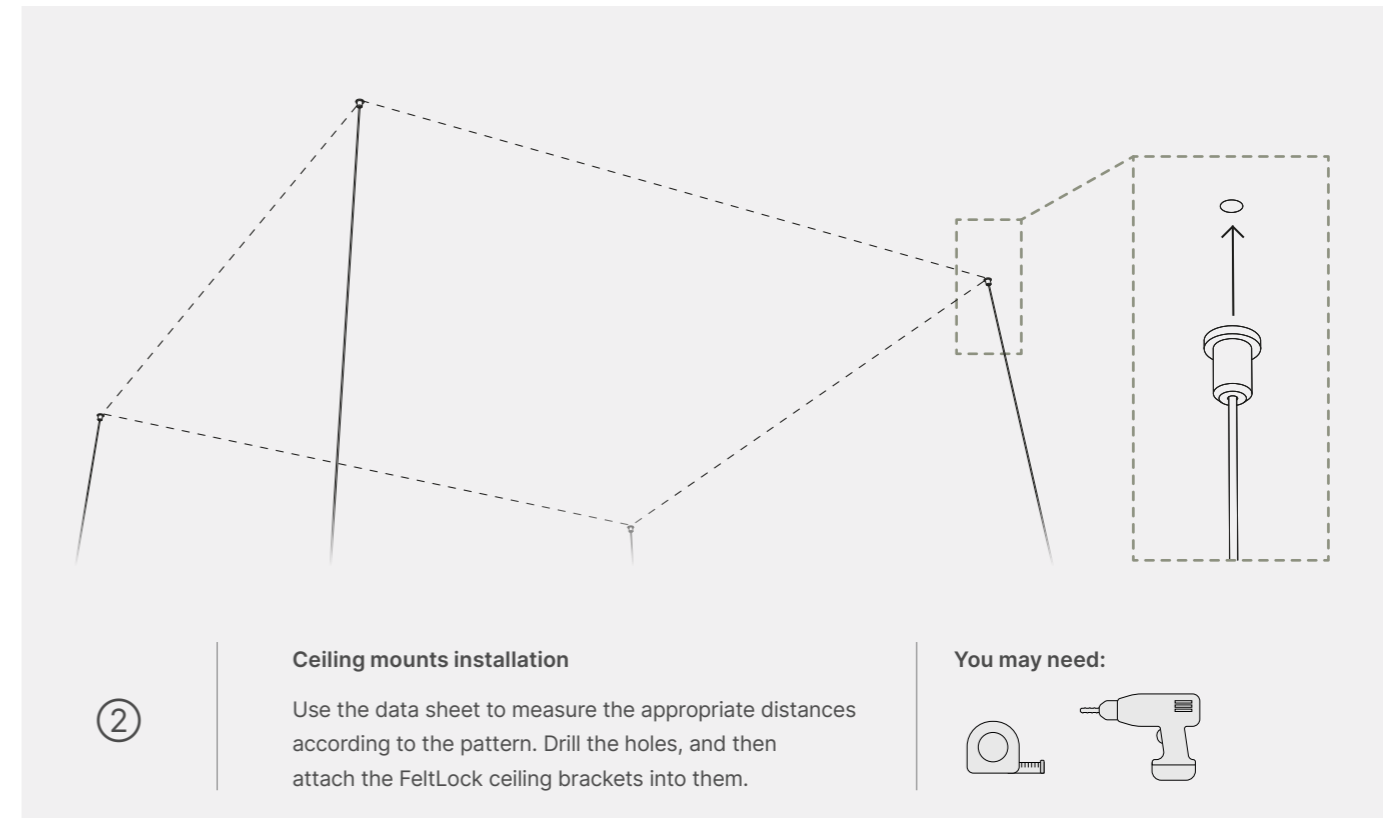
Driller



Wire cutter



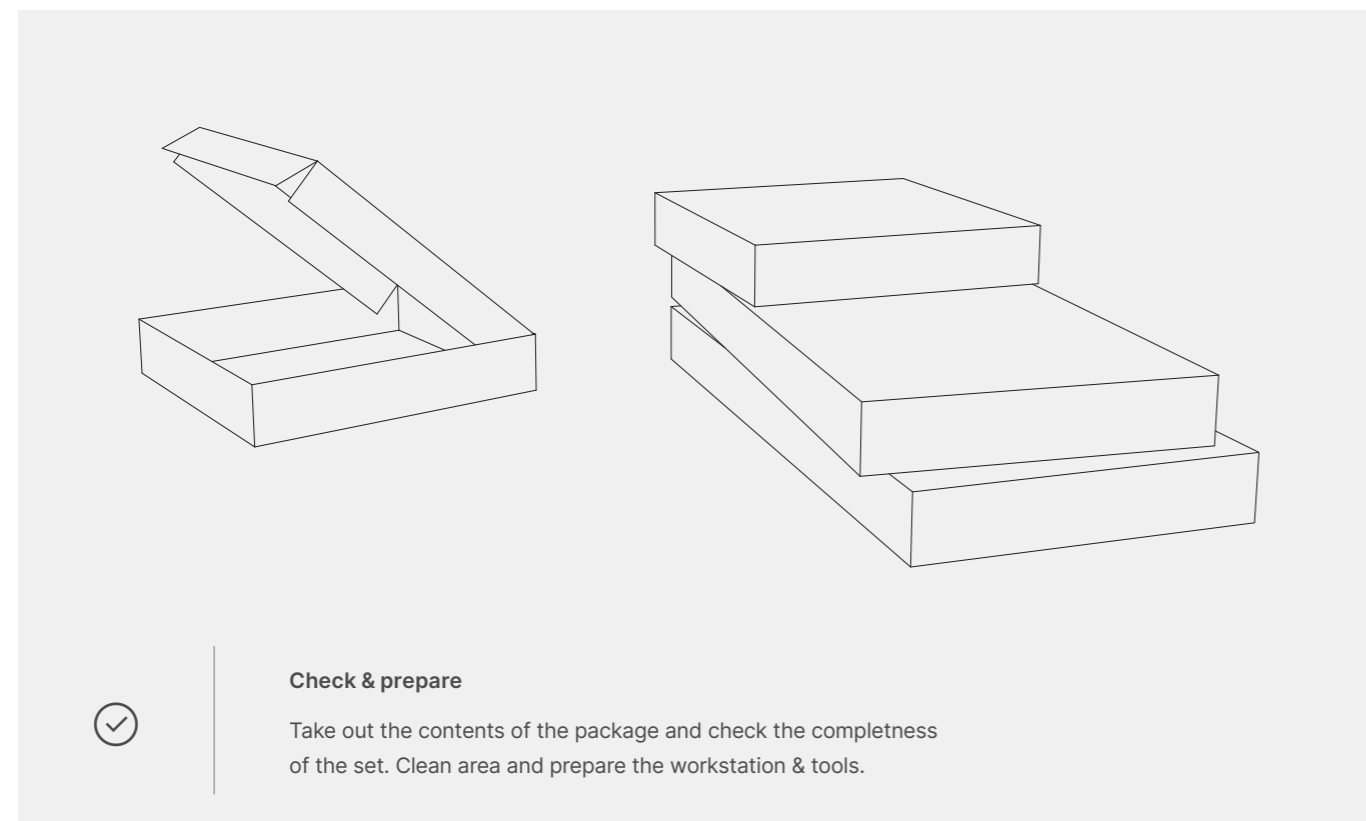
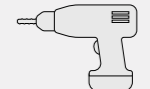
Measuring tools



Ceiling mounts installation

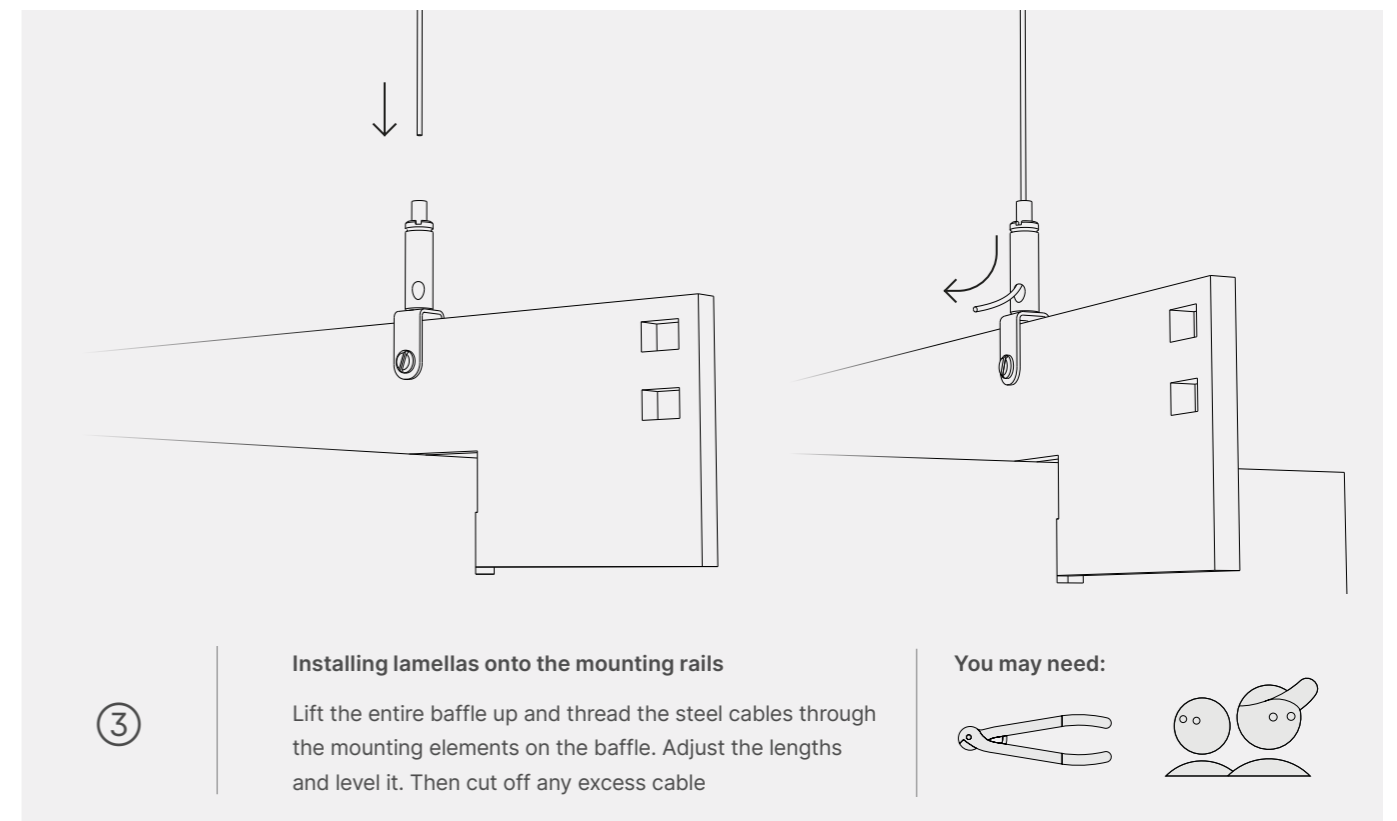
Use the data sheet to measure the appropriate distances according to the pattern. Drill the holes, and then attach the FeltLock ceiling brackets into them.

You may need:



Check & prepare

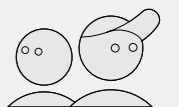
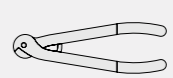
Take out the contents of the package and check the completeness of the set. Clean area and prepare the workstation & tools.



Installing lamellas onto the mounting rails

Lift the entire baffle up and thread the steel cables through the mounting elements on the baffle. Adjust the lengths and level it. Then cut off any excess cable

You may need:





Method available with:

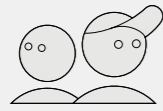
Light Medium Bold Great Wide Low High

Mixed Accent

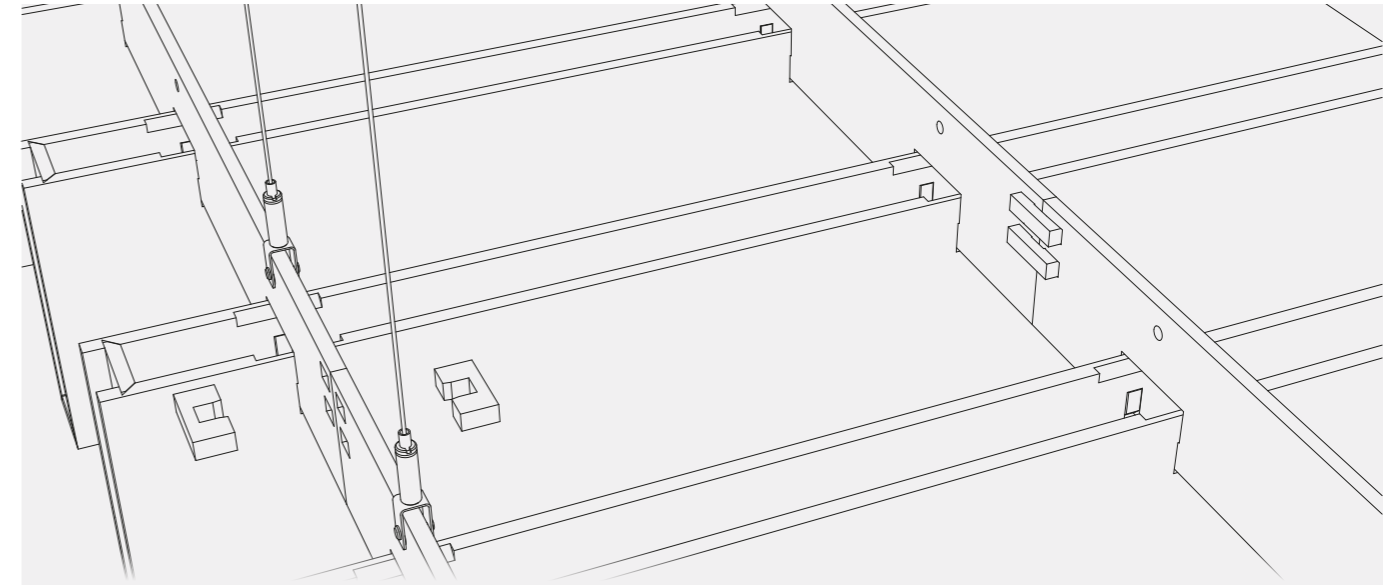
Before Work:

Installing baffles involves working at heights. Make sure your work is carried out in a safe environment and that all safety precautions are followed.

During the work, you will need:



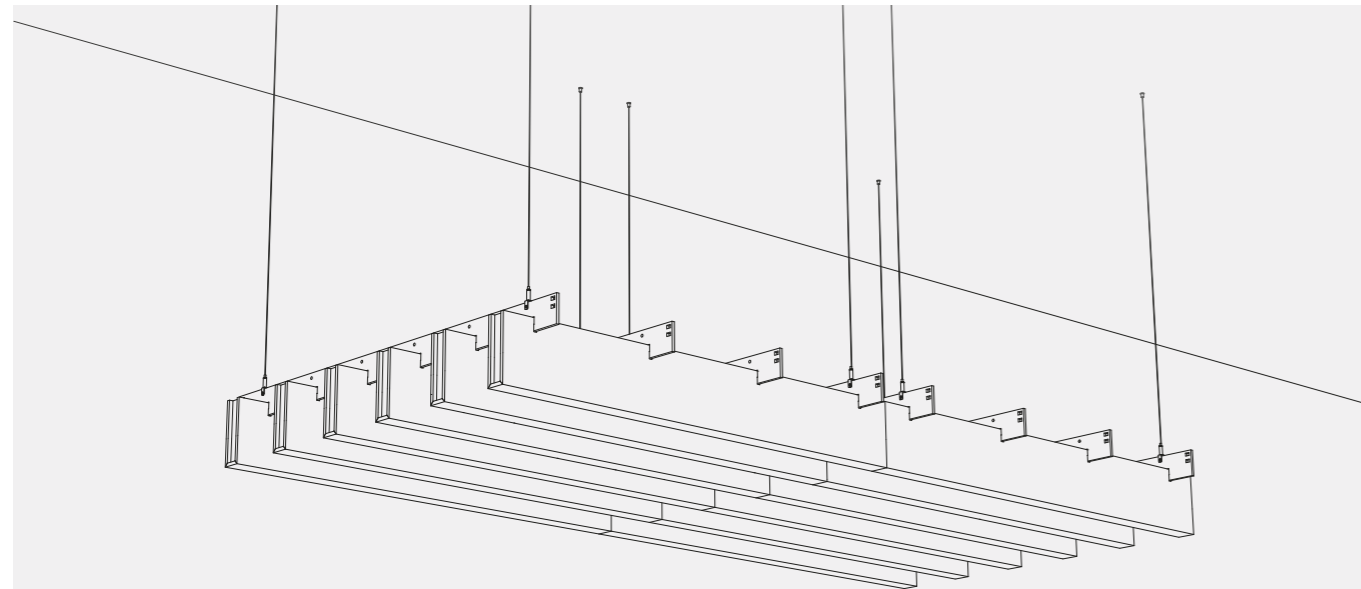
Somebody to help



②

Ceiling mounts installation

Use the data sheet to measure the appropriate distances according to the pattern. Drill the holes, and then attach the FeltLock ceiling brackets into them.



Check & prepare

Take out the contents of the package and check the completeness of the set. Clean area and prepare the workstation & tools.



Method available with:

Light

Medium

Bold

Great

Wide

Low

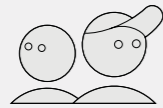
Mixed

Accent

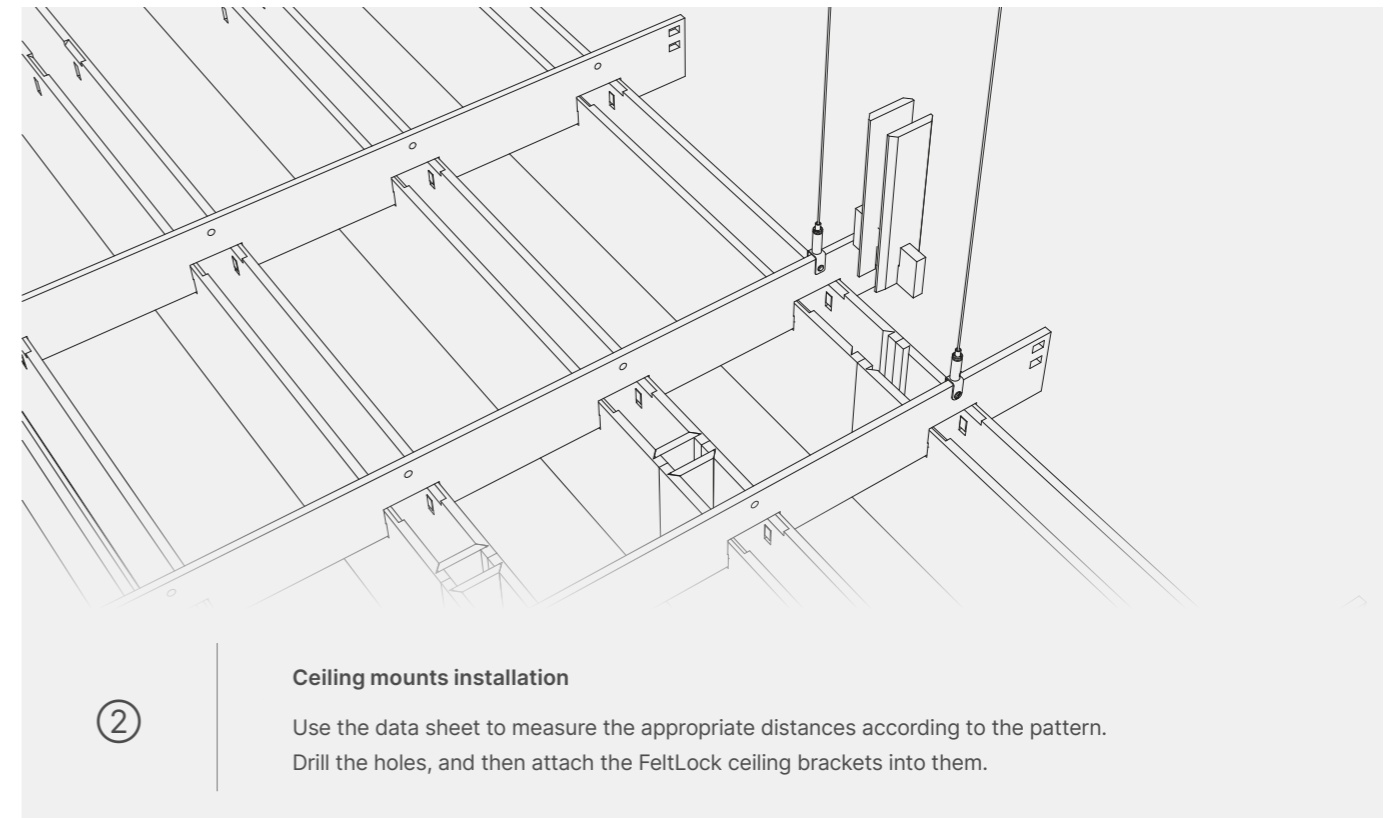
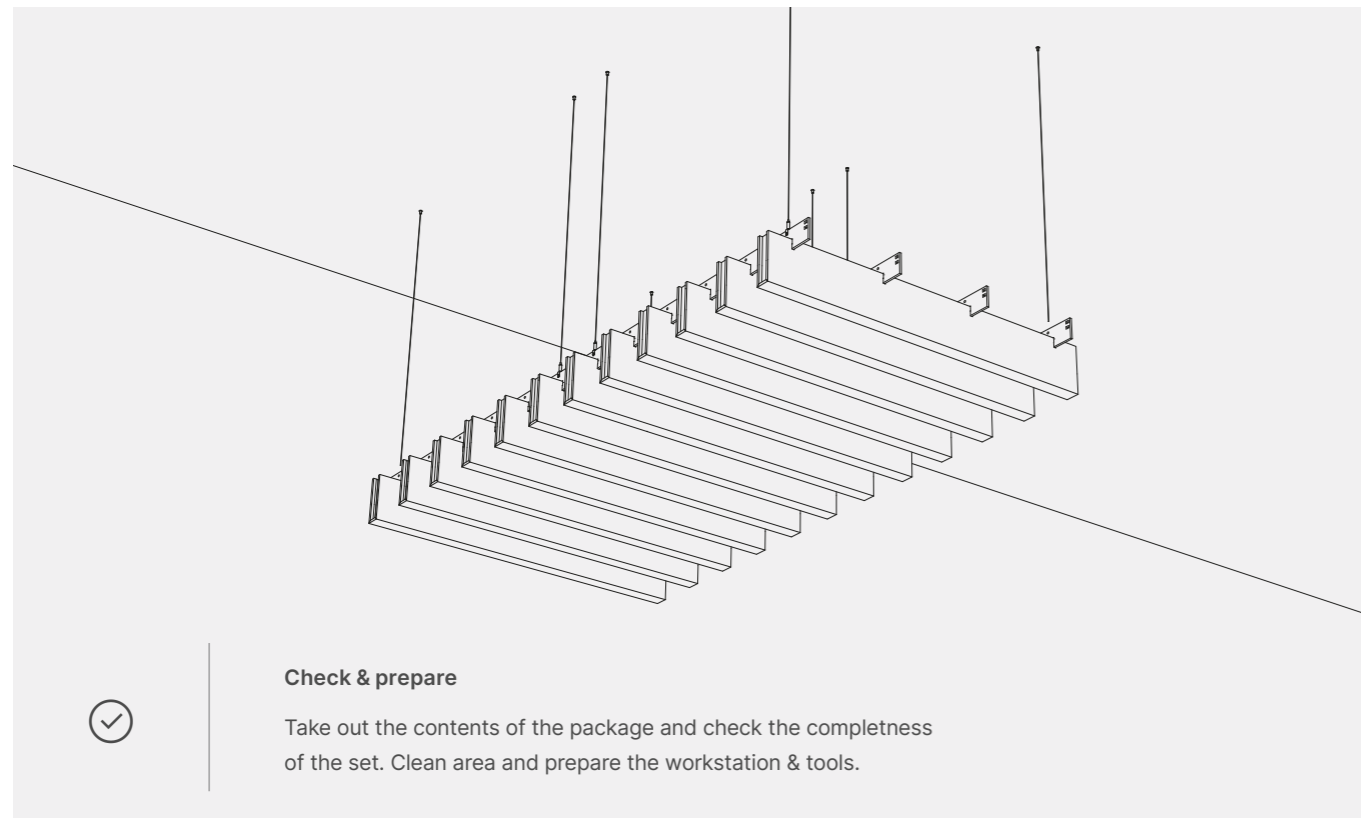
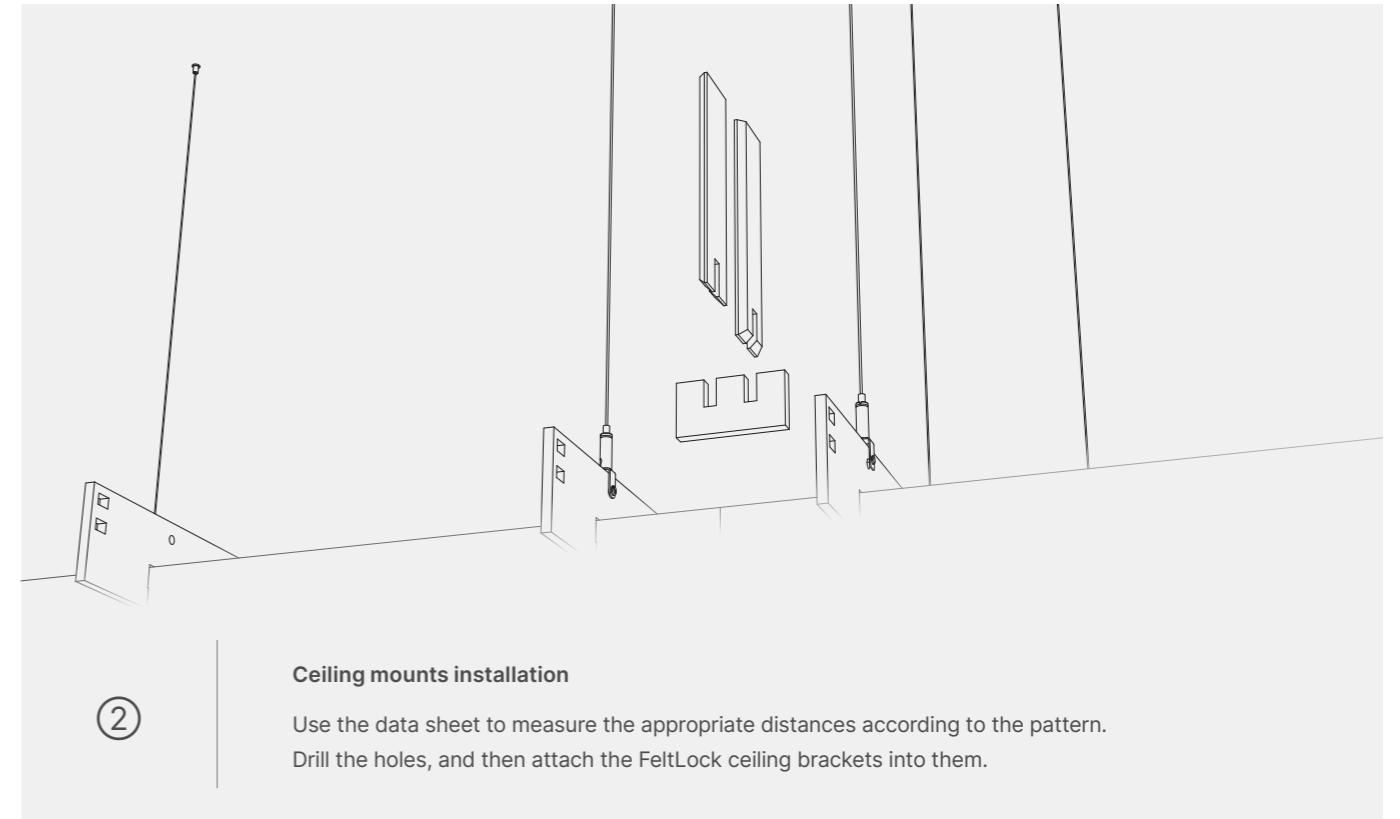
Before Work:

Installing baffles involves working at heights. Make sure your work is carried out in a safe environment and that all safety precautions are followed.

During the work, you will need:



Somebody to help





Method available with:

Casette

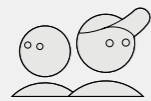
Before Work:

Installing baffles involves working at heights and using potentially dangerous tools. Make sure your work is carried out in a safe environment and that all safety precautions are followed.

Necessary Information:

The following instructions show a general baffle installation. Baffles may vary slightly. Depending on the pattern used, the number of components may differ, or some parts may not be present. Information about these variations can be found in the EasySnap catalog or in the quick reference at the end.

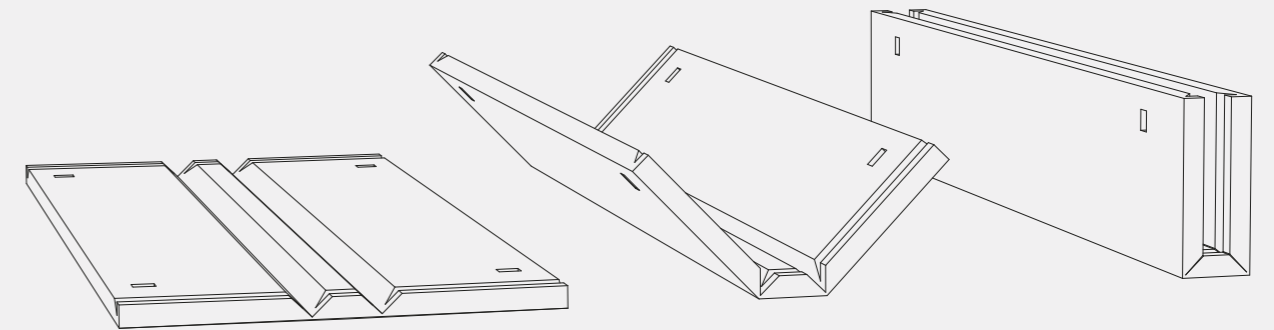
During the work, you will need:



Somebody to help



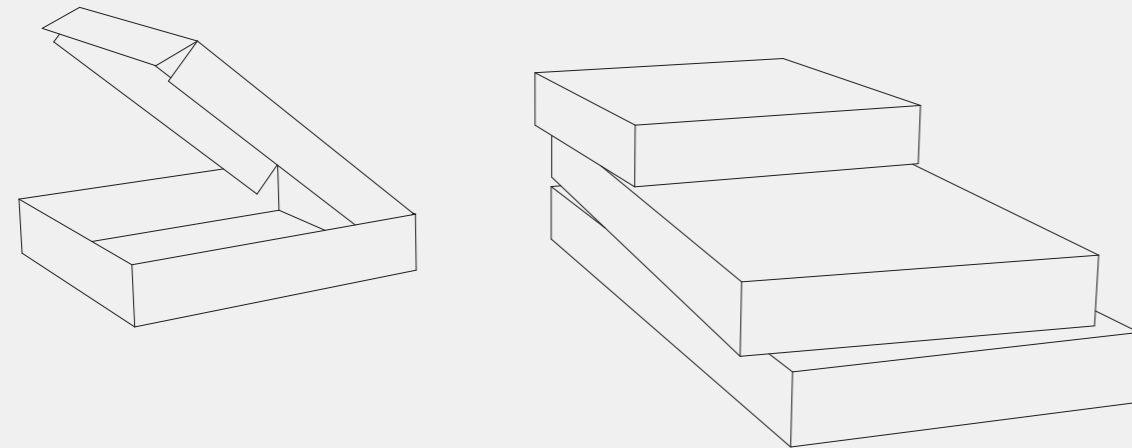
Screwdriver



①

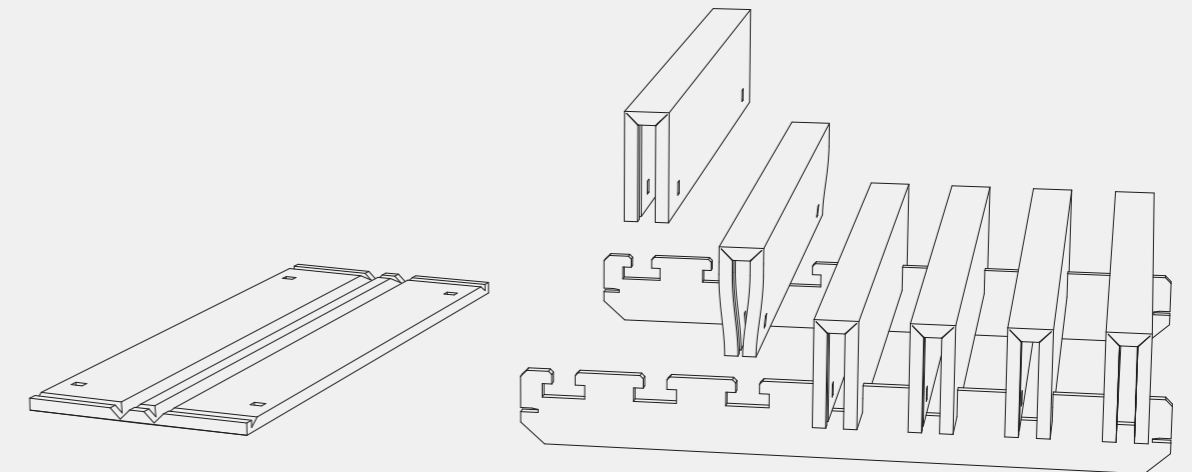
Lamellas preparing

Take the lamellas out of the box and bend them at the hinge point. Remove the securing inserts from the holes. You can dispose of them, making sure to follow proper recycling guidelines.



Check & prepare

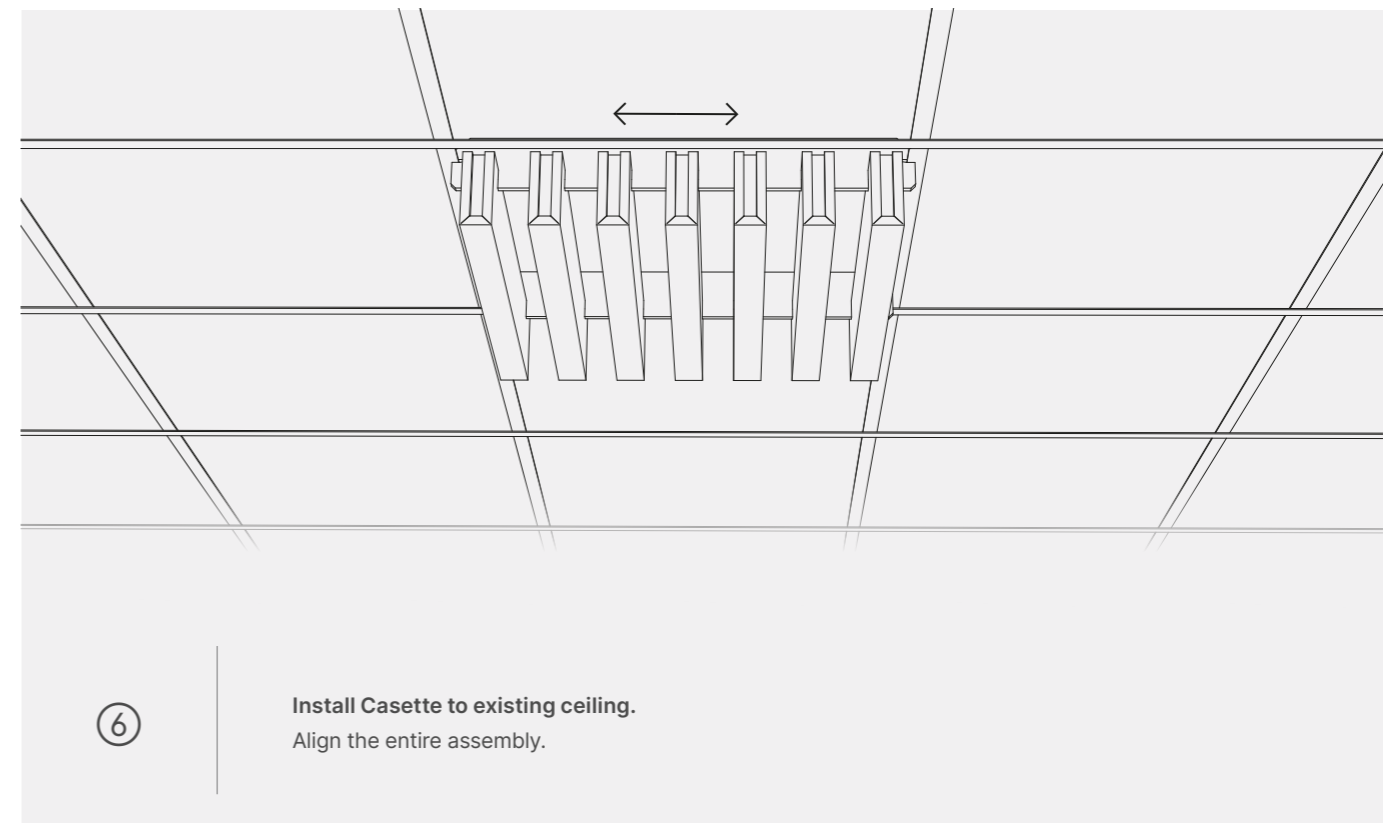
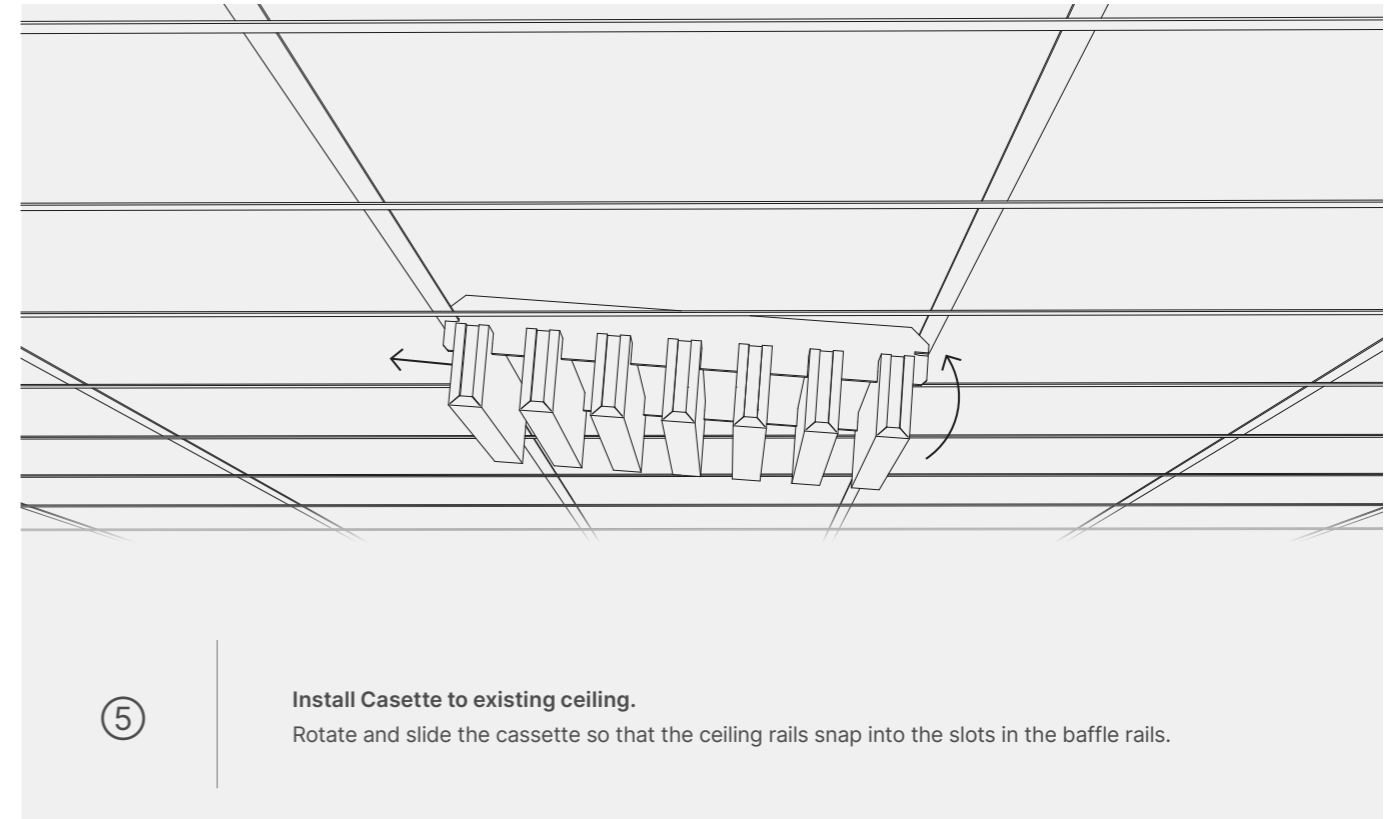
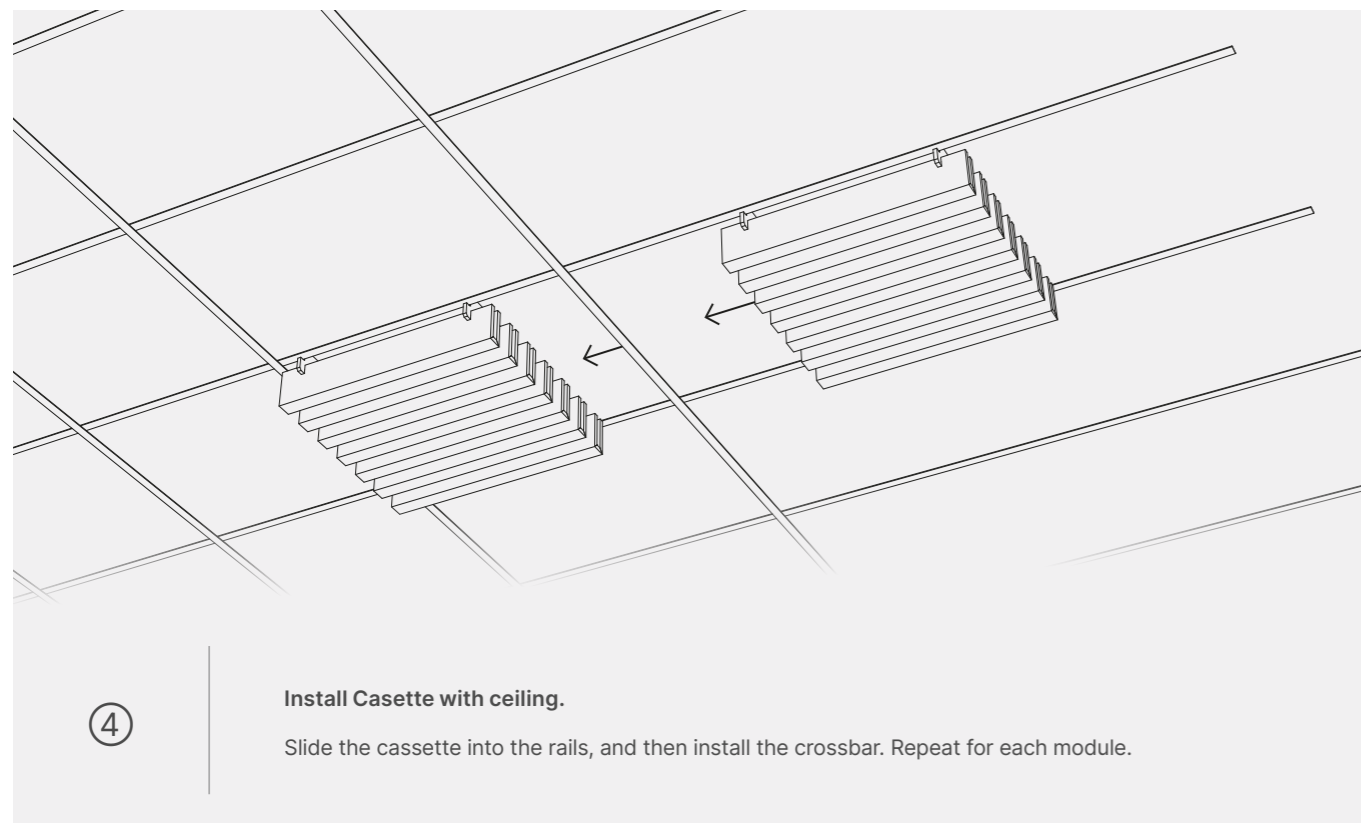
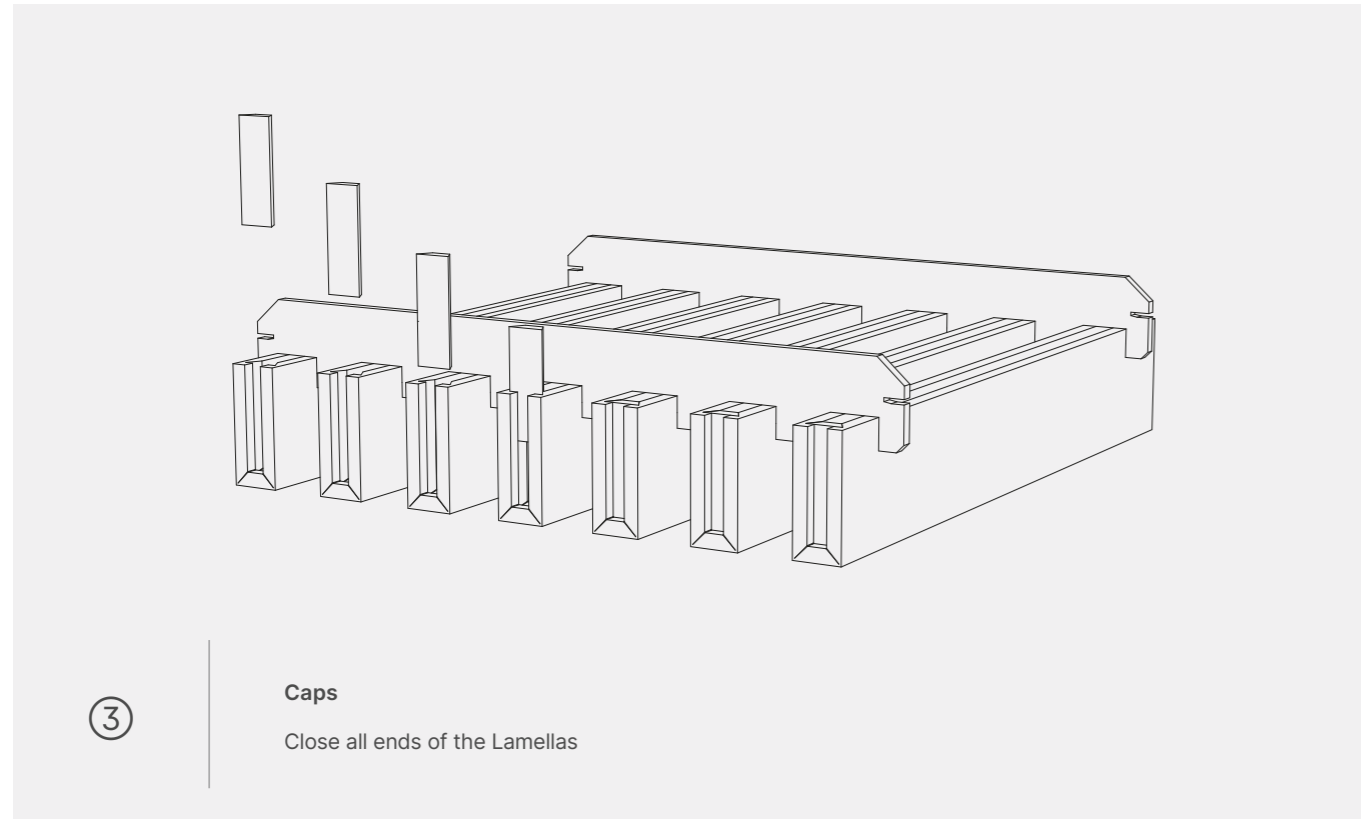
Take out the contents of the package and check the completeness of the set. Clean area and prepare the workstation & tools.

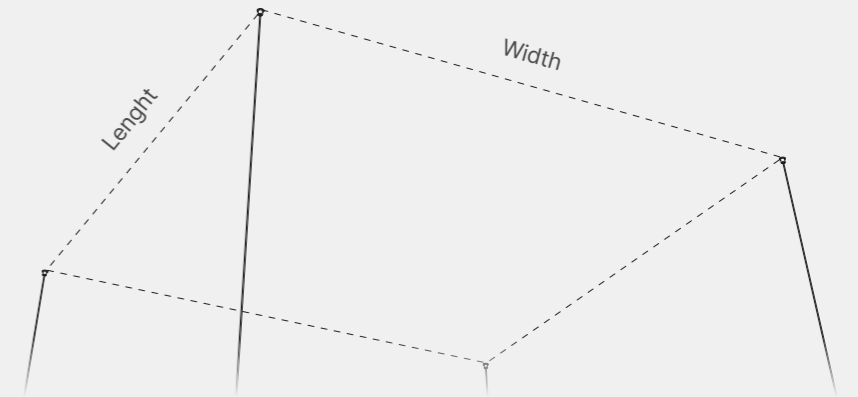
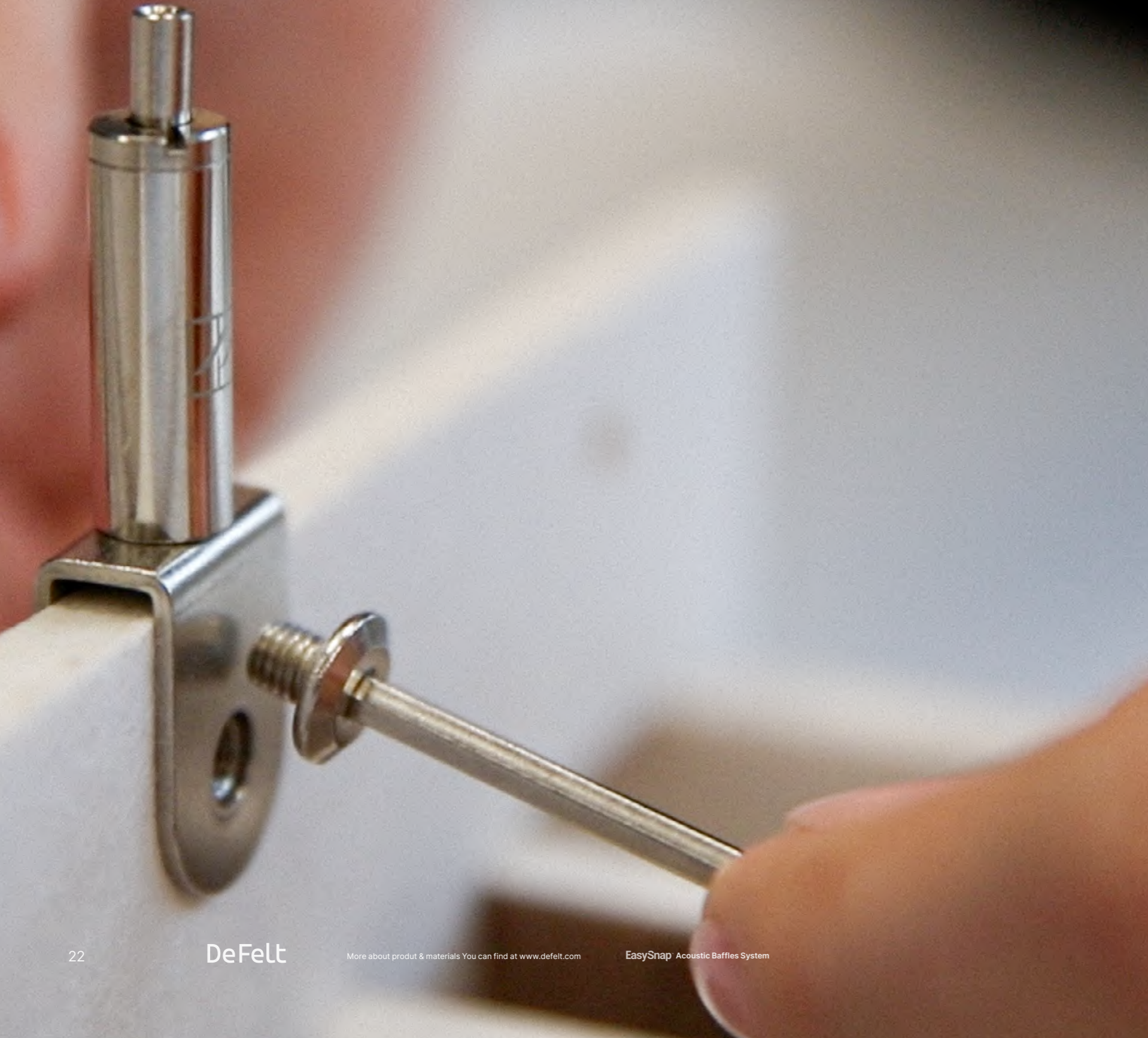


②

Installing lamellas onto the mounting rails

Assemble the lamella and compress it at the point where it should slide into the slot in the mounting rail. Repeat this for each lamella.





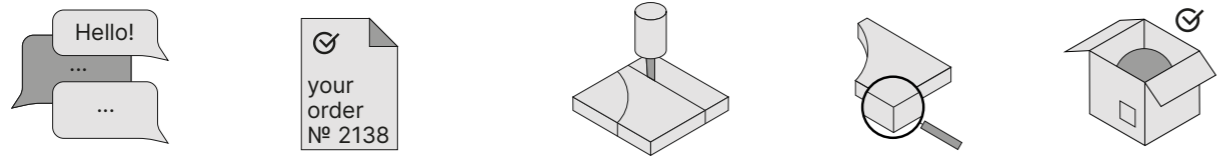
	Length	Width
Light	1020	1050
Medium	1020	1050
Bold	1020	1050
Great	1020	1050
Wide	520	1050
Low	520	1050
High	520	1050
Accent	520	1050
Mixed	520	1050



Ordering Informations

Make a Order

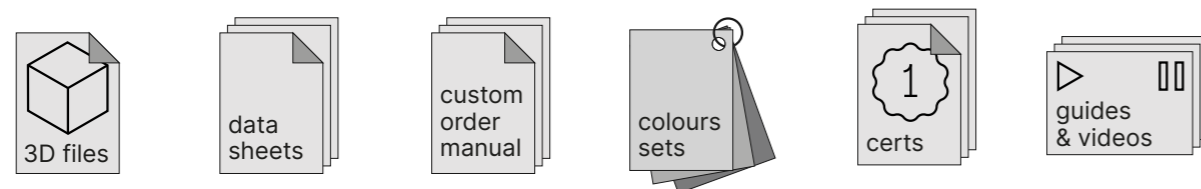
Our extensive production experience is at your disposal. Our team of consultants is ready to answer all your questions. We strive to fulfill orders as quickly as possible, so we kindly ask for the most detailed description of your inquiries. We would be glad to guide you through the process of placing an order.



consulting* → prepayment & ordering → developing/production → quality control → transit & delivery

Digital Library

We maintain a library that offers a comprehensive range of data and detailed information about all our products. It is designed to help you find answers quickly and support you in making informed decisions. We invite you to explore it here: defelt.com/resource-library/



Contact!

We are here for you. You can reach us via email or by phone, and we will be happy to answer any questions you may have. Be sure to follow us on Instagram and LinkedIn as well!



*If you're interested in placing a Custom Order in with DeFelt®, please check our guide. There you'll find details on how to correctly prepare your files for production- making sure we understand each other without any extra issues. Get manual Custom Order Manual on: defelt.com/custom-order-manual.





+48 669 210 173
contact@defelt.com
www.defelt.com

DeFelt Sp. z o.o.
ul. Rakietowa 35
54-615 Wrocław, Poland

The DeFelt® logo is a nationally and internationally registered trademark, exclusively owned by DeFelt sp. z o.o.. It cannot be reproduced or used for commercial or other purposes without prior written authorization from DeFelt. DeFelt has ensured that the information contained in this catalog is as accurate as possible; however, it declines all responsibility for any errors. DeFelt reserves the right to make modifications and improvements of a technical or aesthetic nature to the products at any time without notice. The reproduction (even partial) of this catalog, for any reason and with any means, is prohibited without the prior written permission of DeFelt.

Please note that the actual appearance of DeFelt felt products may differ or vary slightly from the images shown in the catalog. This is because each type and batch of felt and fabric has its own unique characteristics. We view this as an advantage for each product is unique and unrepeatable. Keep in mind that the colors of PET, felts, and fabrics may vary slightly from what you see in the catalog. For the most accurate representation, we recommend referring to our sample book or sample individually sent.

Due to the production process of both fiber and PET felt, there may be slight variations in material between different production batches. Additionally, please take into consideration that PET panels have distinct left and right sides so always try to present only one side of the sheet. Due to the manufacturing process, the felt board may show differences in shade depending on the direction of laying. We recommend laying all pieces in one direction to avoid undesirable visual effects. This is particularly important to consider when installing larger structures, such as wall-mounted panels or acoustic drop ceiling.